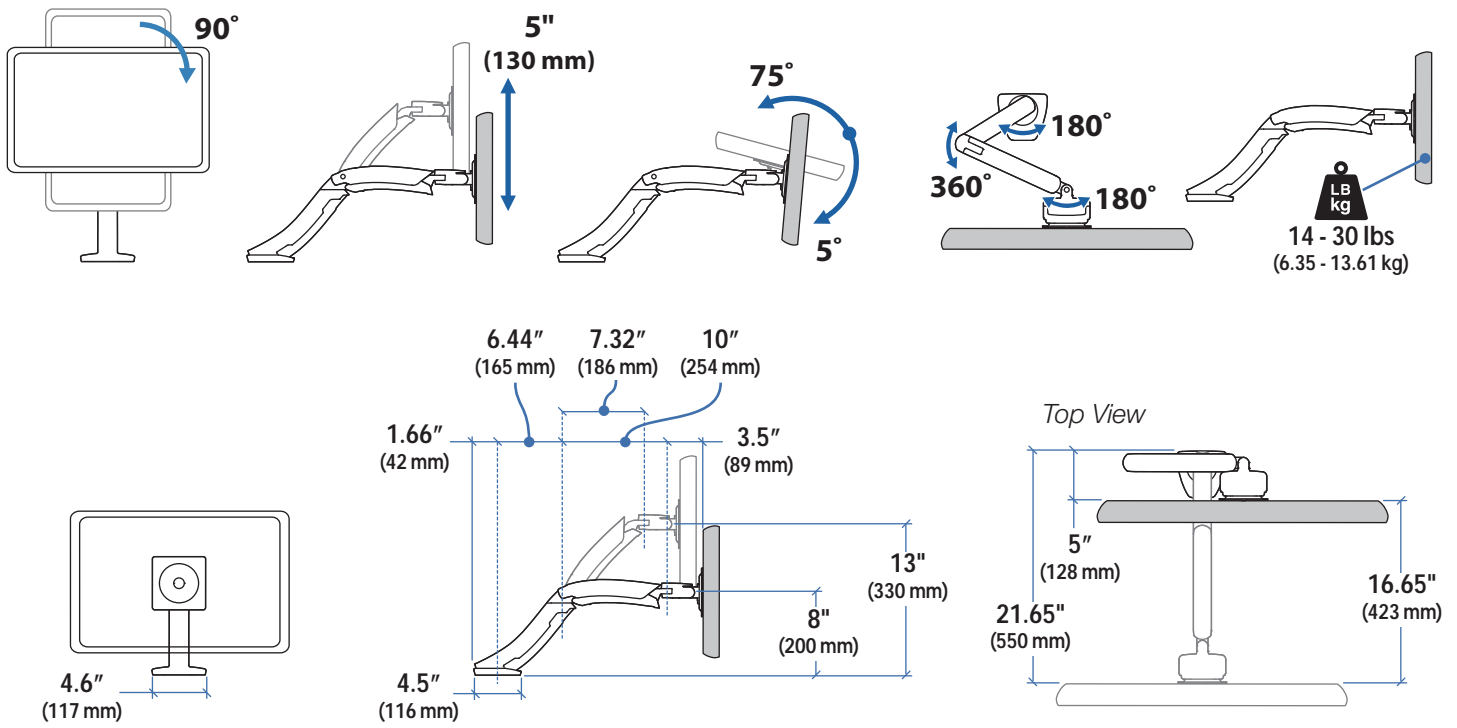
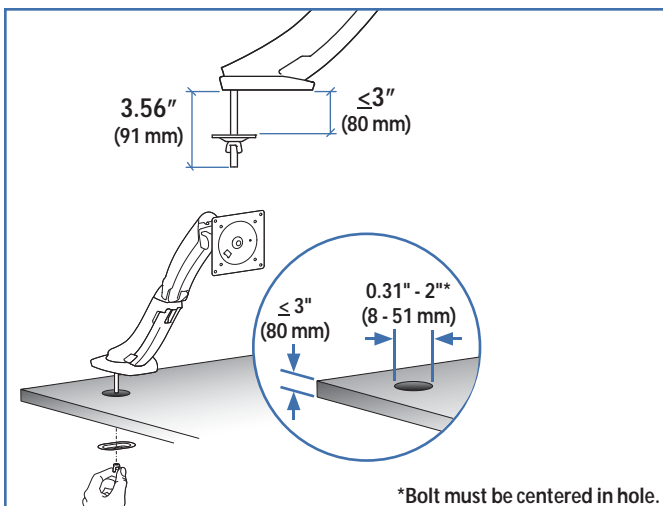


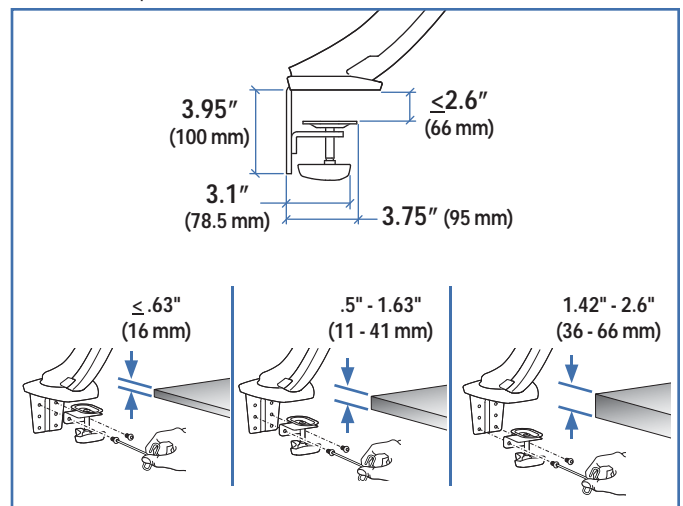
## Desk Mount LCD Arm



### Grommet Mount



### Desk Clamp



© 2009 Ergotron, Inc. rev. 04/28/2009 DIM-081 Content is subject to change without notification

#### Americas Sales and Corporate Headquarters

St. Paul, MN USA  
 (800) 888-8458  
 +1-651-681-7600  
 www.ergotron.com  
 sales@ergotron.com

#### EMEA Sales

Amersfoort, The Netherlands  
 +31 33 45 45 600  
 www.ergotron.com  
 info.eu@ergotron.com

#### APAC Sales

Singapore  
 www.ergotron.com  
 info.apac@ergotron.com

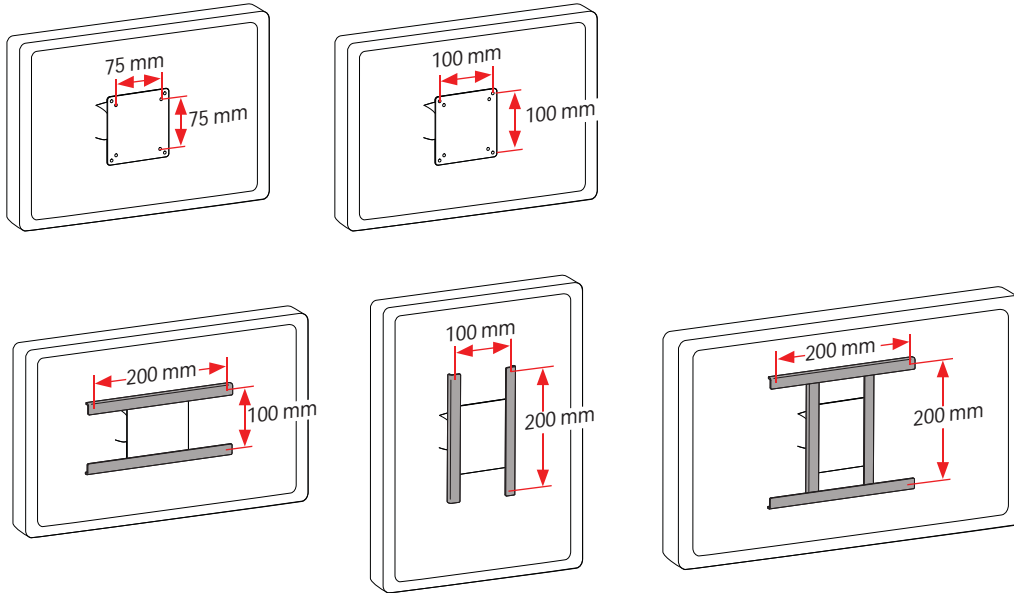
#### Worldwide OEM Sales

www.ergotron.com  
 info.oem@ergotron.com



### Desk Mount LCD Arm

#### VESA Mounts



© 2009 Ergotron, Inc. rev. 04/28/2009 DIM-081 Content is subject to change without notification

#### Americas Sales and Corporate Headquarters

St. Paul, MN USA  
(800) 888-8458  
+1-651-681-7600  
www.ergotron.com  
sales@ergotron.com

#### EMEA Sales

Amersfoort, The Netherlands  
+31 33 45 45 600  
www.ergotron.com  
info.eu@ergotron.com

#### APAC Sales

Singapore  
www.ergotron.com  
info.apac@ergotron.com

#### Worldwide OEM Sales

www.ergotron.com  
info.oem@ergotron.com

