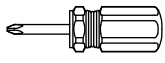
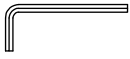


Component List



A - Phillips Screwdriver
(Not Provided)



B - 4mm Hex L-Wrench



C - Cam Fastener x 4



D - Dowel Pin x 8



E - Cam Bolt x 4



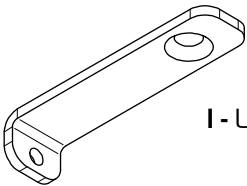
F - 1/4-20 x 38mm
Machine Screw x 6



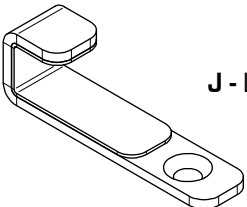
G - M6 x 20mm
Machine Screw
Hex Drive x 8



H - M6 x 6mm
Machine Screw
Hex Drive x 8



I - Upper Bracket x 4



J - Lower Bracket x 4



K - Shelf Clip x 4



L - 5/32 x 12mm
Machine Screw x 4
Phillips Drive



M - Rubber Stem Bumper
x 6

N - Top Panel x 1

O - Side Panels x 2

P - Base Assembly x 1

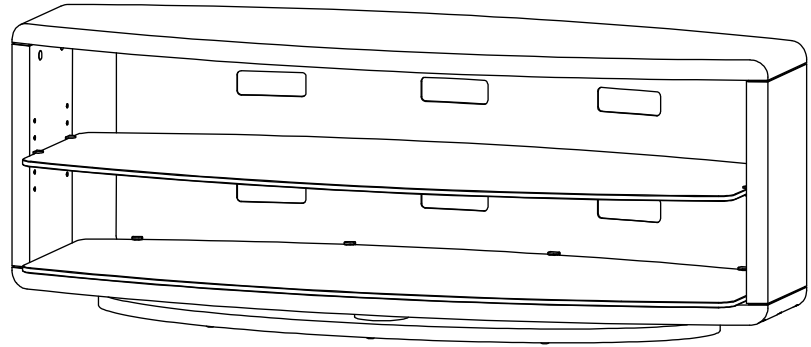
Q - Back Panel x 1

R - Glass Shelves x 2

Valera is engineered for easy assembly. Carefully follow this procedure to prevent any damage.

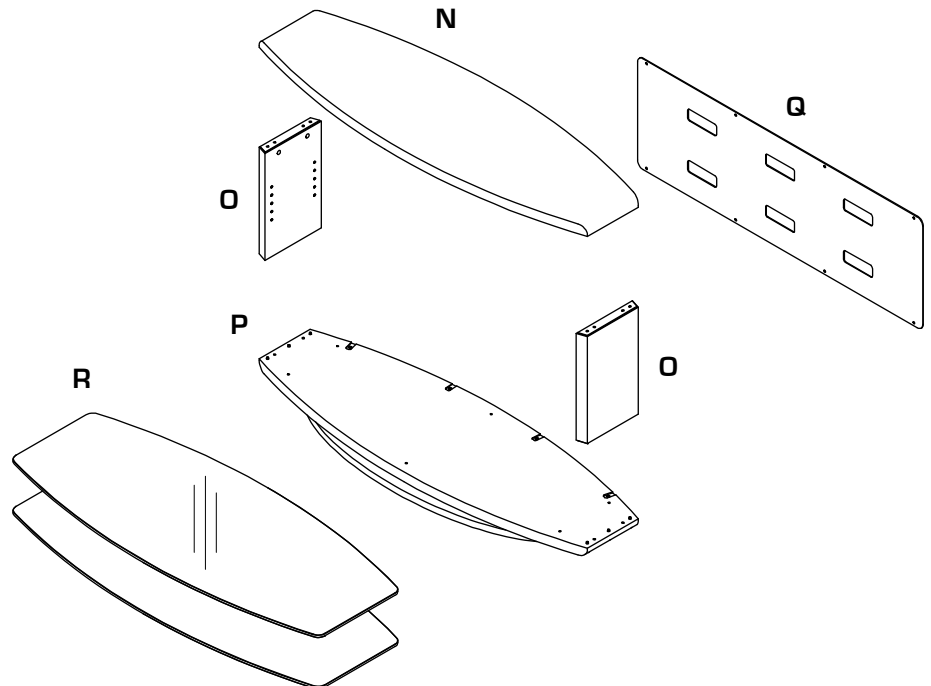
Placement and Maintenance

Valera is designed for indoor use on level floors. Clean glass with glass cleaner, and wood veneer with a moist cloth.



Step 1 Unpack and Identify

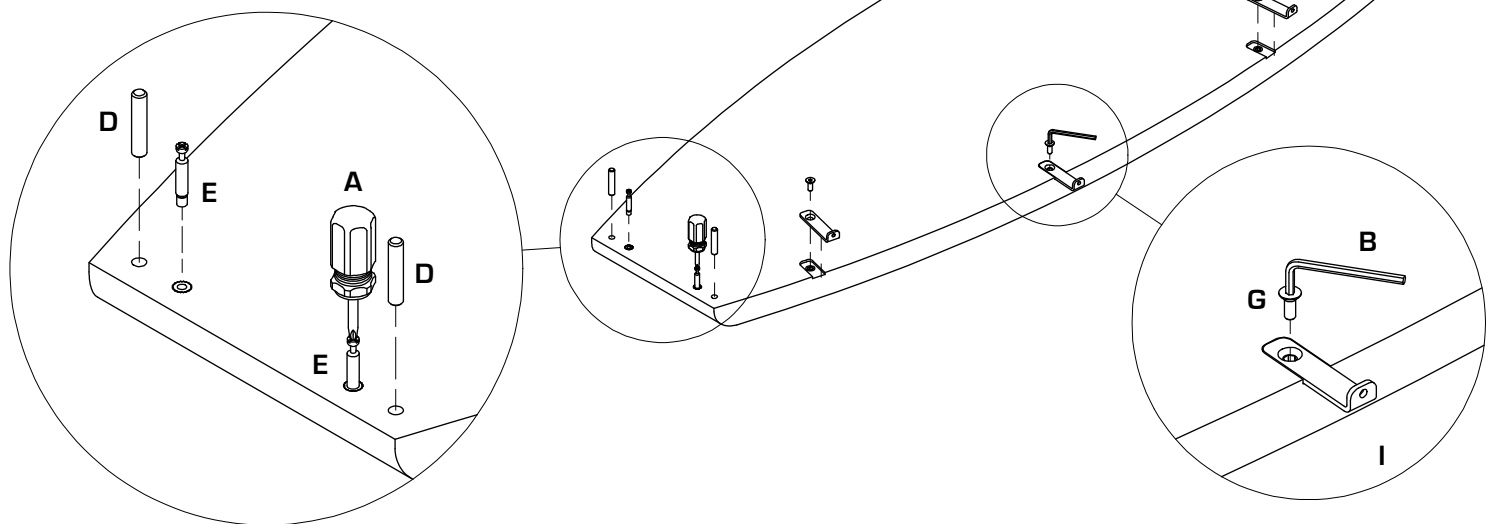
Unpack and identify the components at left. The assembly workspace should be a non-marring surface such as carpet. For missing hardware pieces, please contact BDI Customer Service at customerservice@bdiusa.com. For all other concerns, please contact your BDI Retailer.



Step 2
Install Hardware onto Top Panel

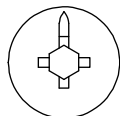
Lay **Top Panel (N)** on its Top on a carpeted surface, with holes facing up. Install **Dowel Pins (D)** and **Cam Bolts (E)** into **Top Panel (N)** using **Phillips Screwdriver (A)**.

Install **Upper Brackets (I)** onto **Top Panel (N)** with **Machine Screws (G)** using **4mm Hex L-Wrench (B)**, do not fully tighten for ease of **Back Panel (Q)** installation.

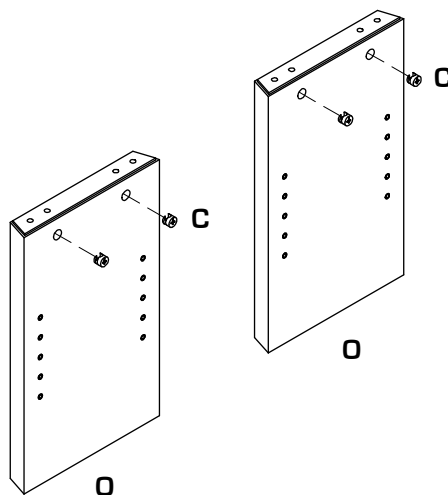
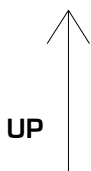


Step 3
Install Hardware into Side Panels

Install **Cam Fasteners (C)** into **Side Panels (O)** as shown, align arrow on **Cam Fastener (C)** to point up.



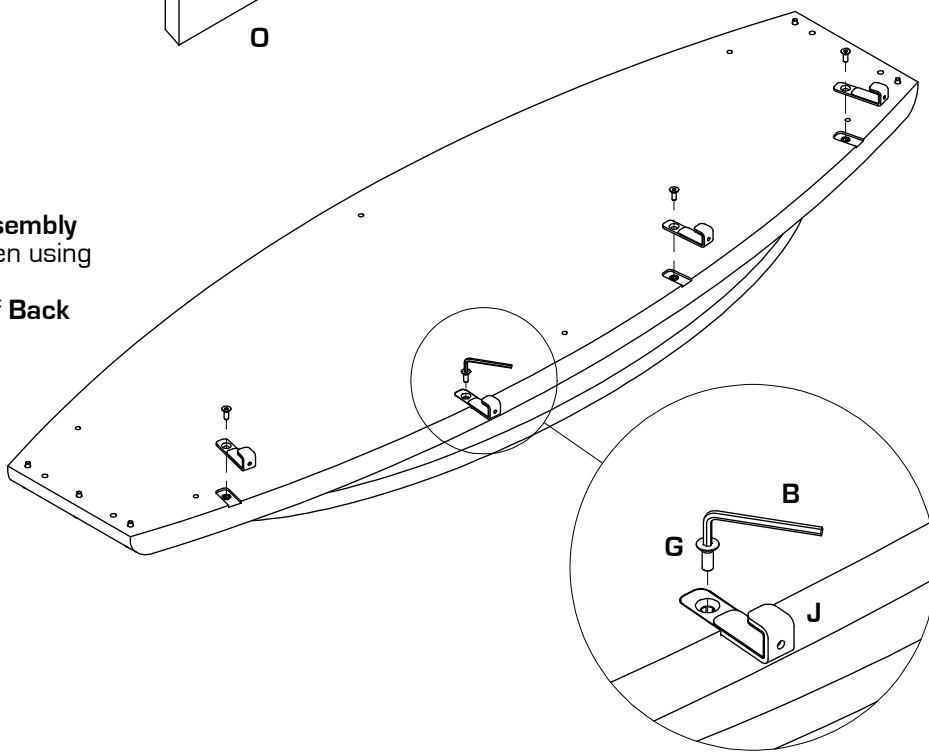
Cam Fastener (C)
 Arrow to point up to start



Step 4
Install Hardware into Bottom Panel

Install **Lower Bracket (J)** into **Base Assembly (P)** with **Machine Screws (G)** and tighten using **4mm Hex L-Wrench (B)**.

Do not fully tighten Brackets for ease of **Back Panel (Q)** installation.

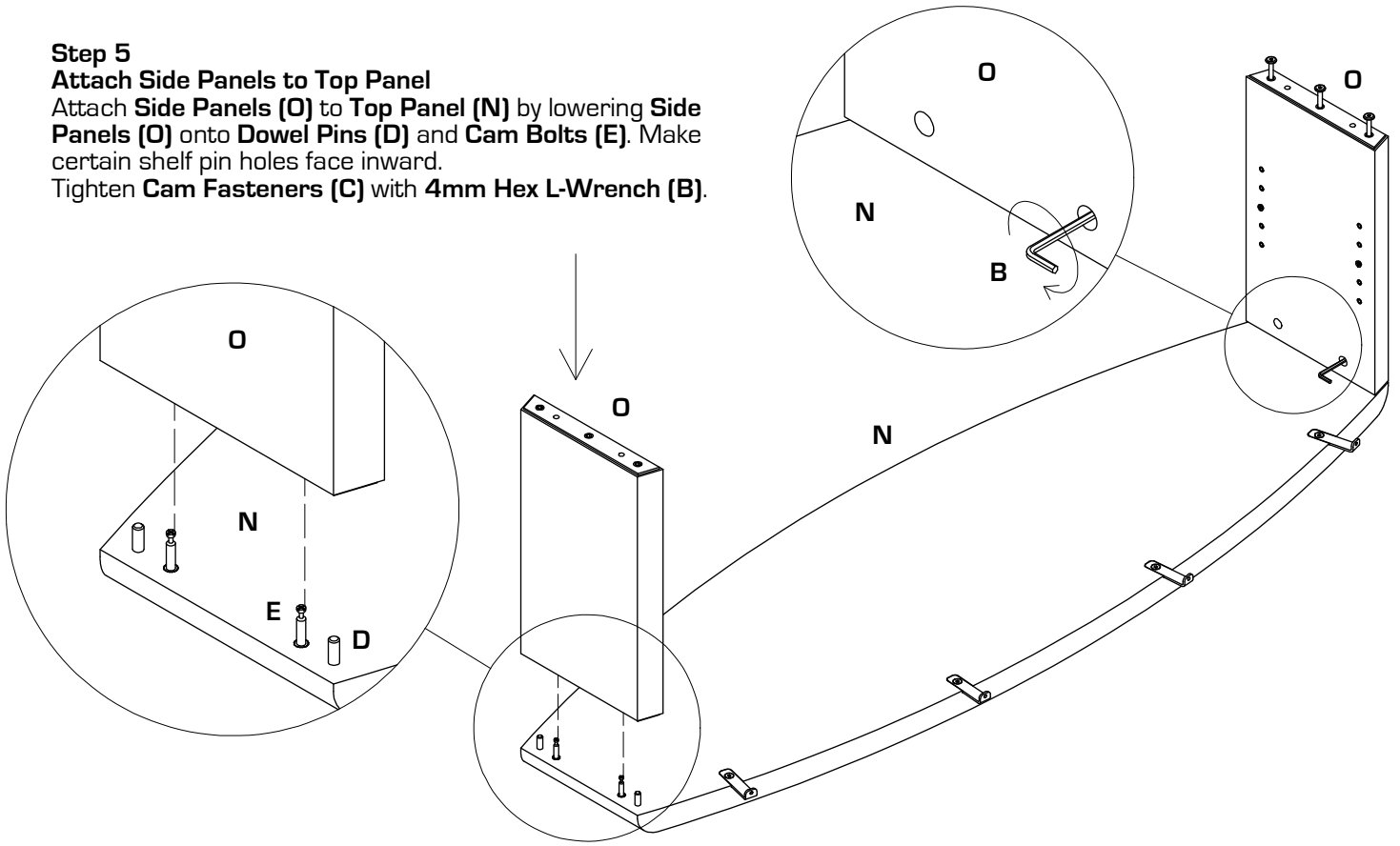


Step 5

Attach Side Panels to Top Panel

Attach **Side Panels (O)** to **Top Panel (N)** by lowering **Side Panels (O)** onto **Dowel Pins (D)** and **Cam Bolts (E)**. Make certain shelf pin holes face inward.

Tighten **Cam Fasteners (C)** with **4mm Hex L-Wrench (B)**.



Step 6

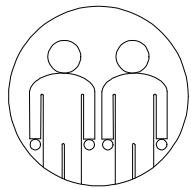
Attach Base Assembly

Insert **Dowel Pins (D)** into **Side Panels (O)**.

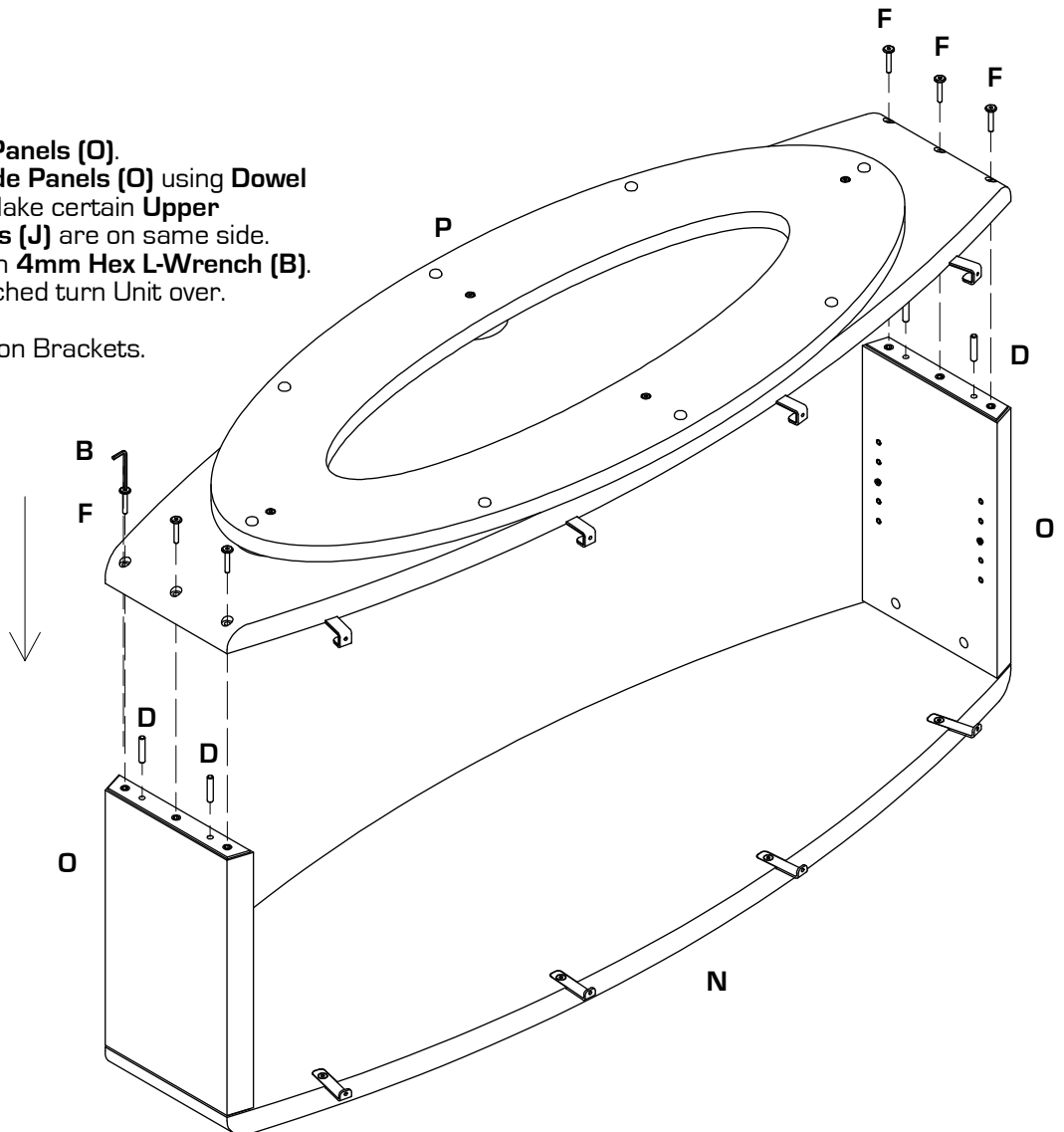
Attach **Base Assembly (P)** to **Side Panels (O)** using **Dowel Pins (D)** to align components. Make certain **Upper Brackets (I)** and **Lower Brackets (J)** are on same side.

Tighten **Machine Screws (F)** with **4mm Hex L-Wrench (B)**. After **Base Assembly (P)** is attached turn Unit over.

CAUTION: Do not turn unit over on Brackets.



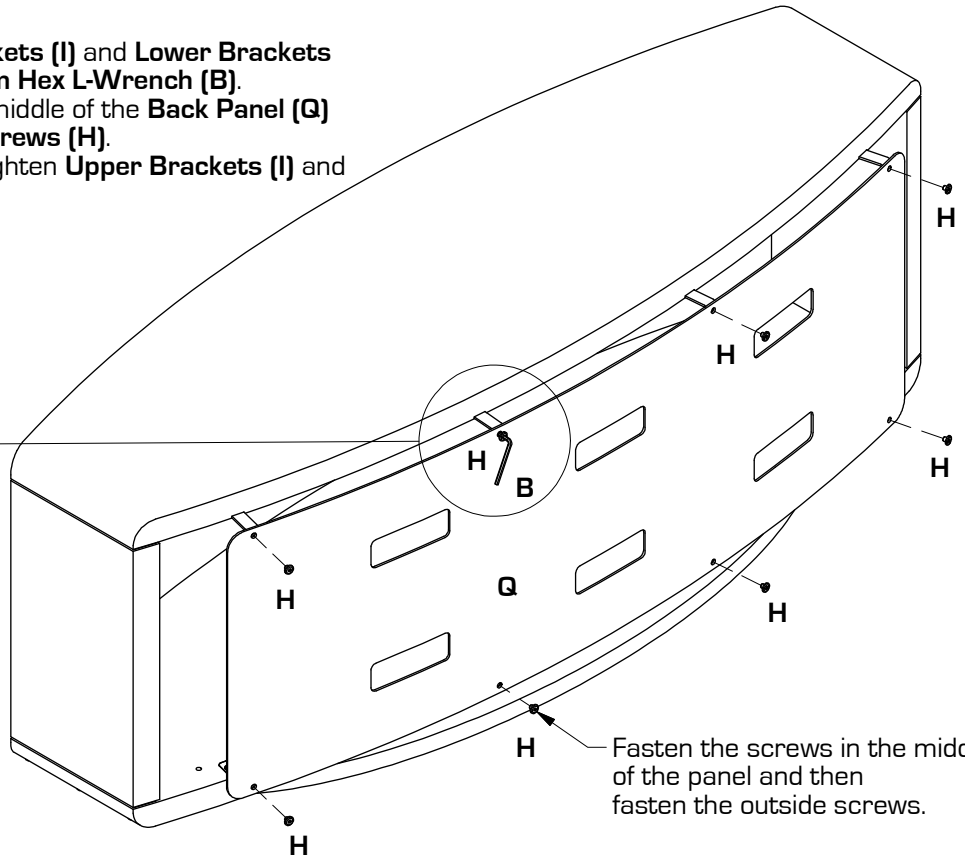
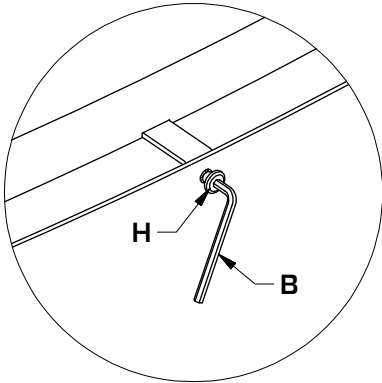
Recommended
2-person Step
for easy
installation



Step 7

Install Back Panel

Install **Back Panel (Q)** onto **Upper Brackets (I)** and **Lower Brackets (J)** with **Machine Screws (H)** using **4mm Hex L-Wrench (B)**. Fasten the **Machine Screws (H)** in the middle of the **Back Panel (Q)** and then fasten the outside **Machine Screws (H)**. After **Back Panel (Q)** is installed, then tighten **Upper Brackets (I)** and **Lower Brackets (J)**.

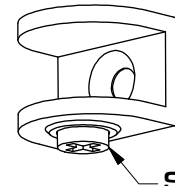


Fasten the screws in the middle of the panel and then fasten the outside screws.

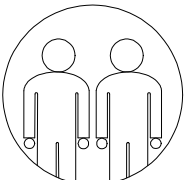
Step 8

Install Glass Shelves

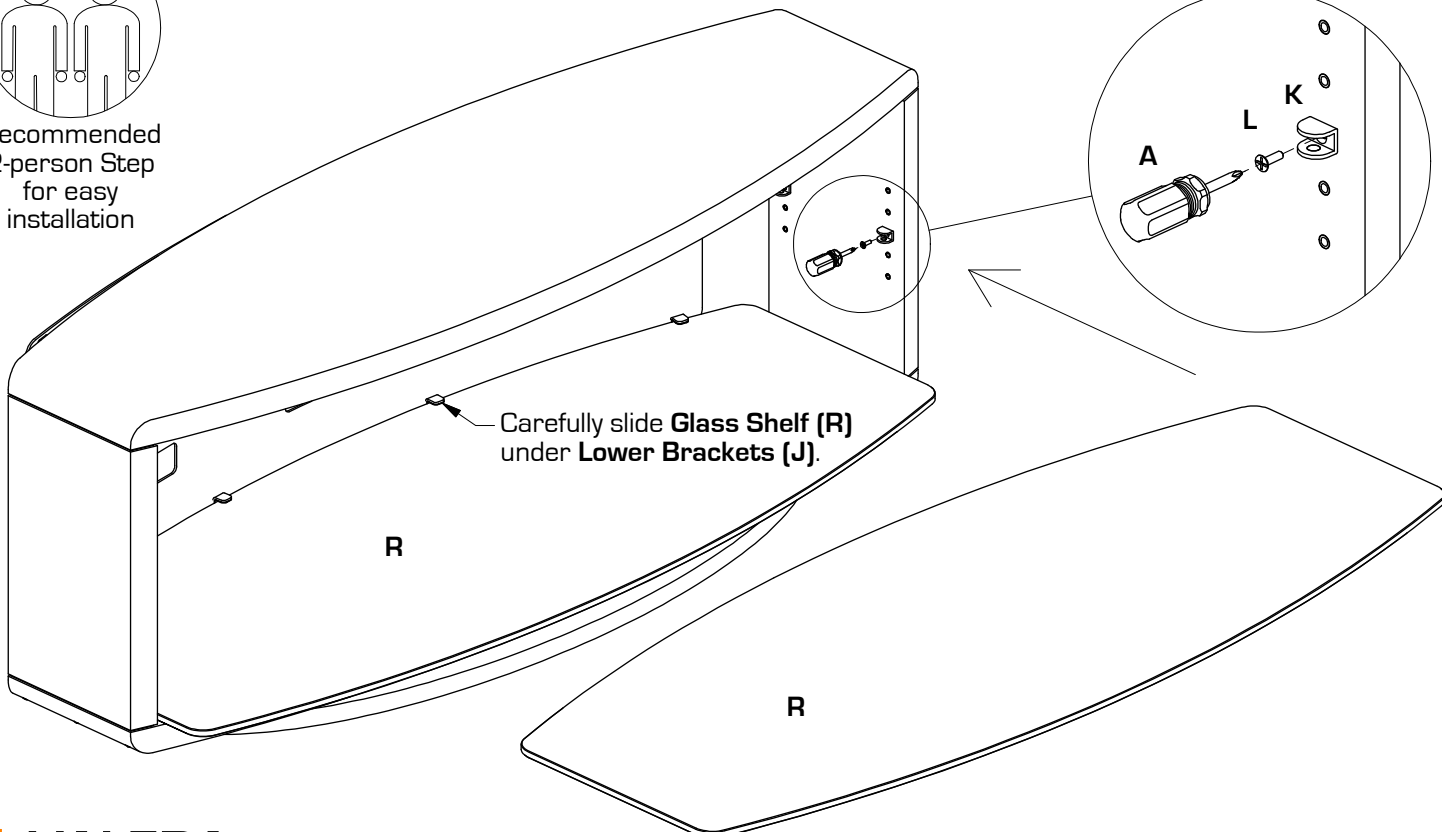
Note: **Glass Shelves (R)** are identical. Install **Rubber Stem Bumpers (M)** into **Base Assembly (P)**. Install **Lower Glass Shelf (R)** onto **Base Assembly (P)**. Slowly slide **Glass Shelf (R)** into place under **Lower Brackets (J)**. Install **Shelf Clips (K)** into **Side Panels (O)** at desired height and tighten with **Phillips Screwdriver (A)**. Make certain set screw on **Shelf Clips (K)** faces down. Install **Middle Glass Shelf (R)** into **Shelf Clips (K)** and tighten set screws on **Shelf Clips (K)** with **Phillips Screwdriver (A)**.



Shelf Clip (K)
Set screw faces down.



Recommended 2-person Step for easy installation



Carefully slide **Glass Shelf (R)** under **Lower Brackets (J)**.

R

R