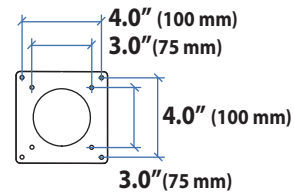
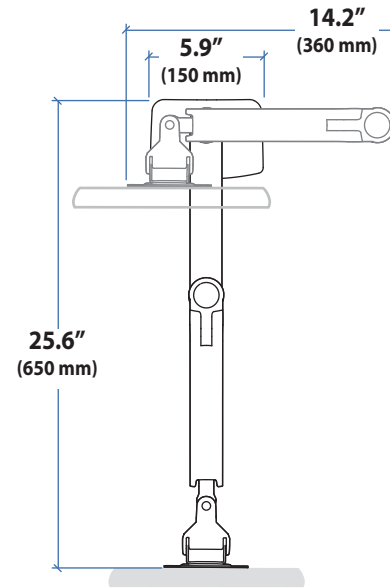
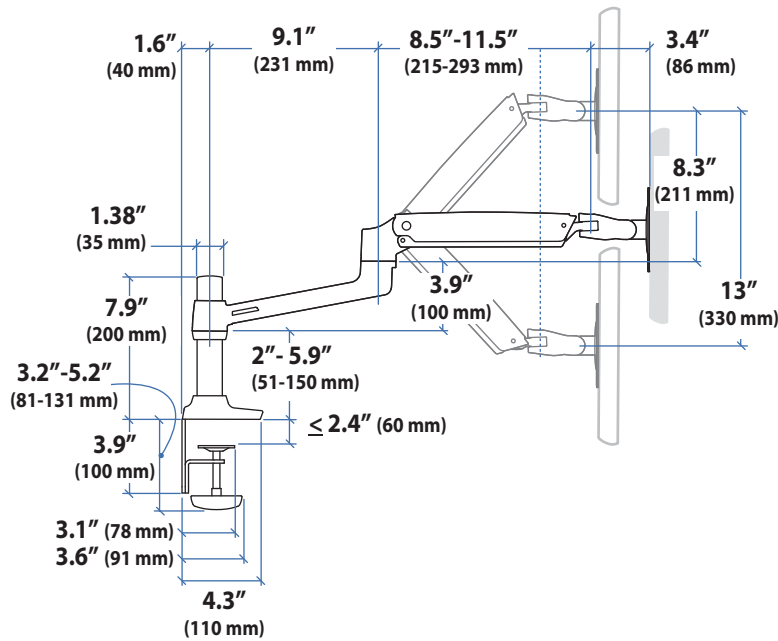


Ergotron® LX

Desk Mount LCD Arm

Dimensional &
Range of Motion
Illustrations

Dimensions



Desk Clamp

$\leq 0.4"$ (10 mm)
 $0.47" - 1.38"$ (12 - 35 mm)
 $1.46" - 2.4"$ (37 - 60 mm)

Grommet Mount

$\leq 3"$ (75 mm)
 $2.8"$ (72 mm)
 $1.4"$ (35 mm)
 $0.31" - 2"$ * (8 - 51 mm)
 $\leq 3"$ (75 mm)

*Bolt must be centered in hole.

© 2011 Ergotron, Inc. rev. 09/07/2011 DIM-056 Content is subject to change without notification

Americas Sales and Corporate Headquarters	EMEA Sales	APAC Sale	Worldwide OEM Sales
St. Paul, MN USA (800) 888-8458 +1-651-681-7600 www.ergotron.com sales@ergotron.com	Amersfoort, The Netherlands +31 33 45 45 600 www.ergotron.com info.eu@ergotron.com	Tokyo, Japan www.ergotron.com apaccustomerservice@ergotron.com	www.ergotron.com info.oem@ergotron.com

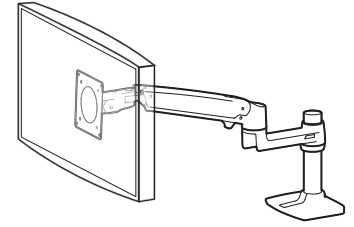
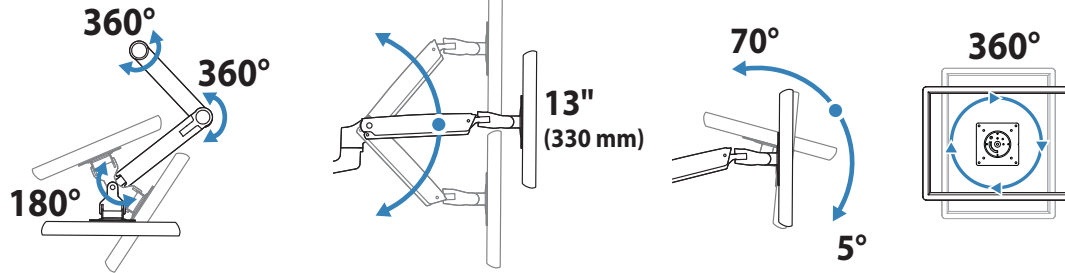


Ergotron® LX

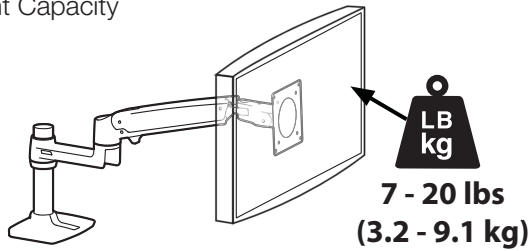
Desk Mount LCD Arm

Dimensional & Range of Motion Illustrations

Range of Motion



Weight Capacity



Monitor depth greater than 2.5" (64 mm) may diminish capacity. Call Ergotron for more information.

© 2011 Ergotron, Inc. rev. 09/07/2011 DIM-056 Content is subject to change without notification

Americas Sales and Corporate Headquarters

St. Paul, MN USA
(800) 888-8458
+1-651-681-7600
www.ergotron.com
sales@ergotron.com

EMEA Sales

Amersfoort, The Netherlands
+31 33 45 45 600
www.ergotron.com
info.eu@ergotron.com

APAC Sale

Tokyo, Japan
www.ergotron.com
apaccustomerservice@ergotron.com

Worldwide OEM Sales

www.ergotron.com
info.oem@ergotron.com

